



SKYTECH
ALFAQEER
الفقير

AF

SKYTECH ALFAQEER

SPECIFICATIONS & DRAWINGS BOOK

نبذه عن الفقير

نفخر باننا الجيل الجديد من الخبرة في صناعة الالمنيوم والزجاج , بسنوات من الخبرات والعمل المستمر لتطوير منتجاتنا وتحسين جودة العمليات الإنتاجية والارتقاء بالخدمات المقدمة لعملائنا الكرام في المملكة الأردنية الهاشمية والمنطقة , نحن نسعى الى الريادة في مجال صناعات الالمنيوم والزجاج .

About AI FAQEER

We are so proud to be the new generation in aluminum and glazing industries

Years of experience , continuous work in products developments and improve the quality of production process and services to our clients in Hashemite Kingdome of Jordan and the region

We plan to be Pioneer in Aluminum Glazing Industries





Model – XYZ R55Tilt Window System

نظام شبابيك مفصلات قلاب من الفئة العليا بحدود قصوى لارتفاع المنتج , تم تصميمه تقنيا للاستمرارية لفترات طويلة ومقاومه اعلى للاحوال الجوية وعزل زجاجي مميز , وتم اضافة الاكسسوارات الايطالية لضمان الحد الاعلى للاداء الممتاز

Heavy-duty hinged tilt window system from the high category engineered to limited height, technically designed for extra durability, better resistance to weather conditions and significant glass insulation, Provided with Italian accessories to assure maximum performance.

XYZ R55Tilt Technical Data Sheet

Aluminum Profile Specifications:

مواصفات الالمنيوم

Operation Description	وصف الحركة	Tilt hinged window (1,2 leaves)
Sections Thickness	سمائة المقطع	1.4 to 1.6 mm (-/+10%)
System Total Depth	العمق الكلي للنظام	55 mm
Extrusion Material	مواصفات مواد البثق	Alloy 606/6063 treated and hardened
Material Finish	مواد تشطيب المقاطع	Anodized / Powder Coated / Wood Film
Powder Coating	مواصفات دهان البودره	AkzoNobel or Jotun 70-100mic (Based on paint type and color)

Glazing specifications:

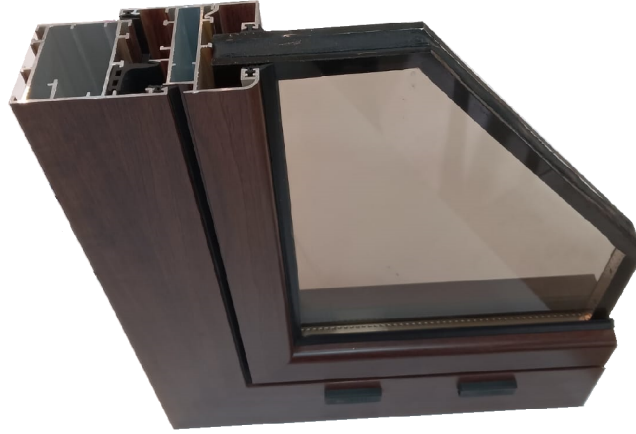
مواصفات الزجاج

Glass Pane Clear (Standard)	زجاج ساده	5.5 -6 mm inner -12mm space - 5.5 -6mm outer
Glass Optional	اضافات الزجاج	Tinted / Coated
Aluminum Spacer	فاصل الزجاج الدبل سبيسر	12mm Italian made filled desiccant absorbing
Glass sealant	مادة اغلاق الزجاج الدبل	EU product high quality Polysulfide materials

Accessories and fittings specifications:

مواصفات الاكسسوارات والتركيب

Handle	اليد	EU Italian imported product
Hinges	المفصلات	EU Italian imported product
EPDM Rubber	شريط المطاط	EU Turkish product
Drainage	تصريف المياه	High quality mixed materials of Hard nylon
Sealant \ Silicon	المعجون والسلكون	EU products for best performance
Fixation and assembly	مواد التركيب	Galvanized / Stainless steel screws and bolts



Model – XYZ R55 Hinged Window System

نظام شبابيك مفصلات من الفئة العليا بحدود قصوى لارتفاع المنتج , تم تصميمه تقنيا للاستمراريه لفترات طويله ومقاومه اعلى للاحوال الجوية وعزل زجاجي مميز , وتم اضافة الاكسسوارات الايطاليه لضمان الحد الاعلى للداء الممتاز

Heavy-duty hinged window system from the high category engineered to limited height, technically designed for extra durability, better resistance to weather conditions and significant glass insulation, Provided with Italian accessories to assure maximum performance.

XYZ R55 Technical Data Sheet

Aluminum Profile Specifications:

مواصفات الالمنيوم

Operation Description	وصف الحركة	Swing hinged window (1,2 leaves)
Sections Thickness	سماكة المقطع	1.8 to 2 mm (-/+10%)
System Total Depth	العمق الكلي للنظام	55 mm
Extrusion Material	مواصفات مواد البثق	Alloy 606/6063 treated and hardened
Material Finish	مواد تشطيب المقاطع	Anodized / Powder Coated / Wood Film
Powder Coating	مواصفات دهان البودره	AkzoNobel or Jotun 70-100mic (Based on paint type and color)

Glazing specifications:

مواصفات الزجاج

Glass Pane Clear (Standard)	زجاج ساده	5.5 -6 mm inner -12mm space - 5.5 -6mm outer
Glass Optional	اضافات الزجاج	Tinted / Coated
Aluminum Spacer	فاصل الزجاج الدبل سبيسر	12mm Italian made filled desiccant absorbing
Glass sealant	مادة اغلاق الزجاج الدبل	EU product high quality Polysulfide materials

Accessories and fittings specifications:

مواصفات الاكسسوارات والتركييب

Handle, and locking system	الايايدي والزرفيل	EU Italian imported product
Hinges	المفصلات	EU Italian imported product
EPDM Rubber	شريط المطاط	EU Turkish product
Drainage	تصريف المياه	High quality mixed materials of Hard nylon
Sealant \ Silicon	المعجون والسلكون	EU products for best performance
Fixation and assembly	مواد التركيب	Galvanized / Stainless steel screws and bolts



Model – XYZ R55 Hinged Door System

نظام ابواب مفصلات من الفئة العليا بحدود قصوى لارتفاع المنتج , تم تصميمه تقنيا للاستمراريه لفترات طويله ومقاومه اعلى للاحوال الجوية وعزل زجاجي مميز , وتم اضافة الاكسسوارات الايطاليه لضمان الحد الاعلى للاداء الممتاز

Heavy-duty hinged door system from the high category engineered to limited height, technically designed for extra durability, better resistance to weather conditions and significant glass insulation, Provided with Italian accessories to assure maximum performance.

XYZ R55D Technical Data Sheet

Aluminum Profile Specifications:

مواصفات الالمنيوم

Operation Description	وصف الحركة	Swing hinged Door (1,2 leaves)
Sections Thickness	سمائة المقطع	2 to 2.2 mm (-/+10%)
System Total Depth	العمق الكلي للنظام	55 mm
Extrusion Material	مواصفات مواد البثق	Alloy 606/6063 treated and hardened
Material Finish	مواد تشطيب المقاطع	Anodized / Powder Coated / Wood Film
Powder Coating	مواصفات دهان البودره	AkzoNobel or Jotun 70-100mic (Based on paint type and color)

Glazing specifications:

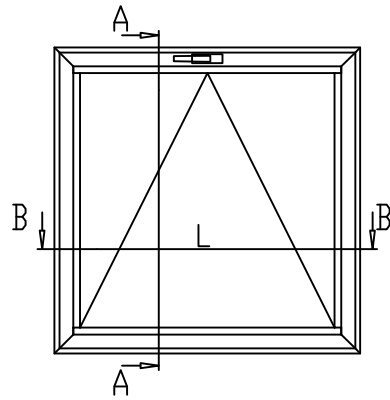
مواصفات الزجاج

Glass Pane Clear (Standard)	زجاج ساده	5.5 -6 mm inner -12mm space - 5.5 -6mm outer
Glass Optional	اضافات الزجاج	Tinted / Coated
Aluminum Spacer	فاصل الزجاج الدبل سبيسر	12mm Italian made filled desiccant absorbing
Glass sealant	مادة اغلاق الزجاج الدبل	EU product high quality Polysulfide materials

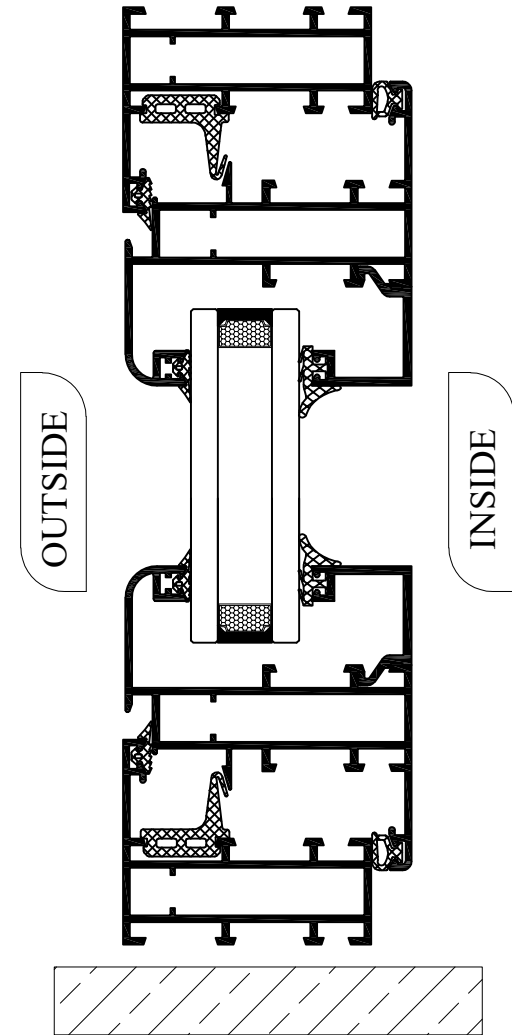
Accessories and fittings specifications:

مواصفات الاكسسوارات والتركيب

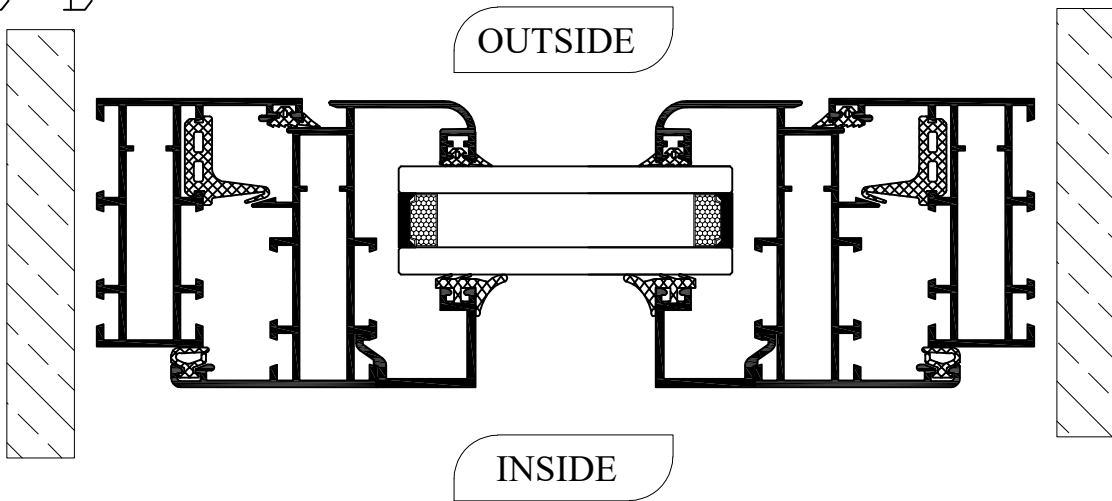
Handle, and locking system	الايايدي والزرفيل	EU Italian imported product
Hinges	المفصلات	EU Italian imported product
EPDM Rubber	شريط المطاط	EU Turkish product
Drainage	تصريف المياه	High quality mixed materials of Hard nylon
Sealant \ Silicon	المعجون والسلكون	EU products for best performance
Fixation and assembly	مواد التركيب	Galvanized / Stainless steel screws and bolts



A-A



B-B



System: **XYZ-55 TILT WINDOW**

EXTRU XYZ - 55 HINGES WINDOWS SYSTEM

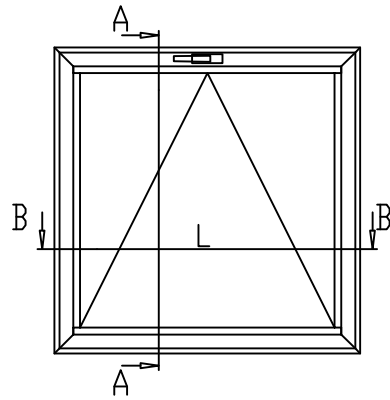
Thickness : 1.4 to 1.6 mm

Spacer : 12 mm

Scale: N.T.S

Unit: mm

Tolerance Aluminum Weight And Thickness (+ / - 10%)

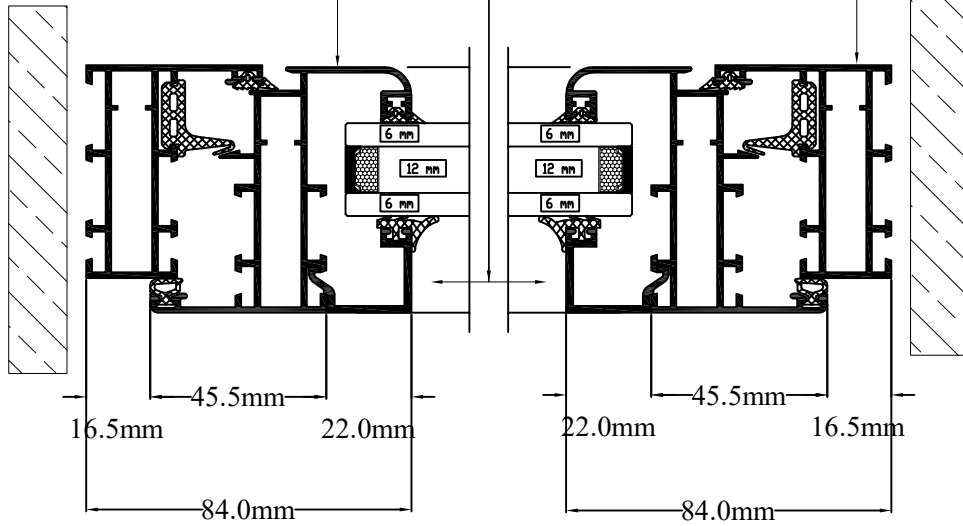


XYZ-504

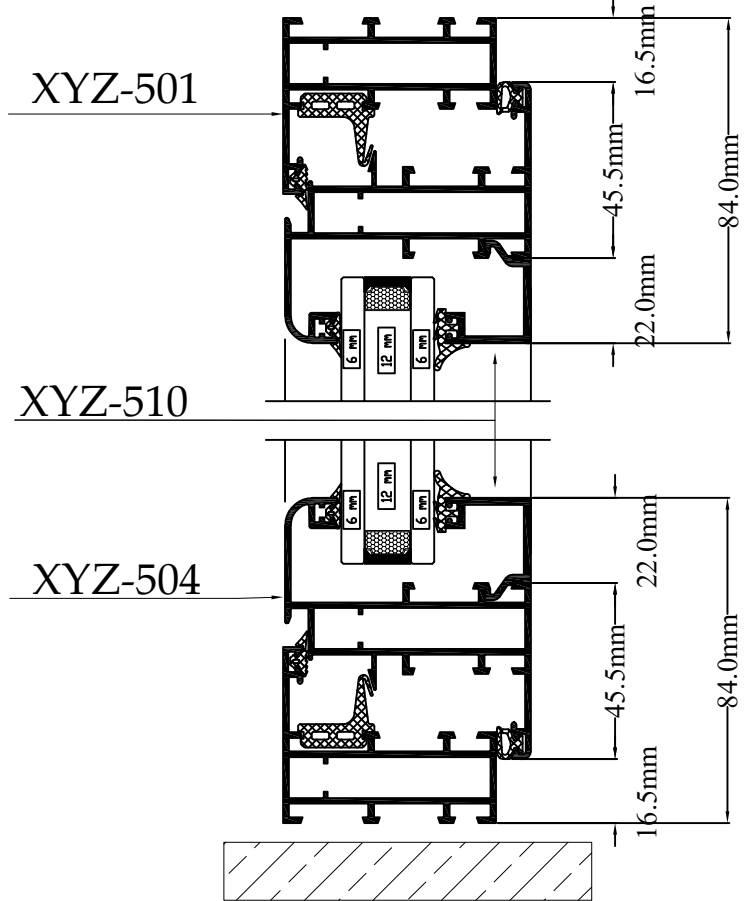
XYZ-510

XYZ-501

B-B



A-A



System: **XYZ-55 TILT WINDOW**

EXTRU XYZ - 55 HINGES WINDOWS SYSTEM

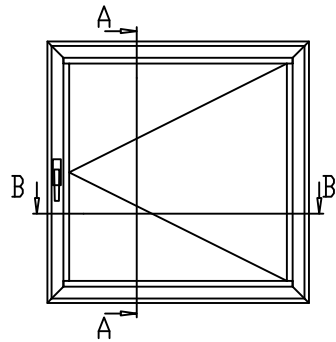
Thickness : 1.4 to 1.6mm

Spacer : 12 mm

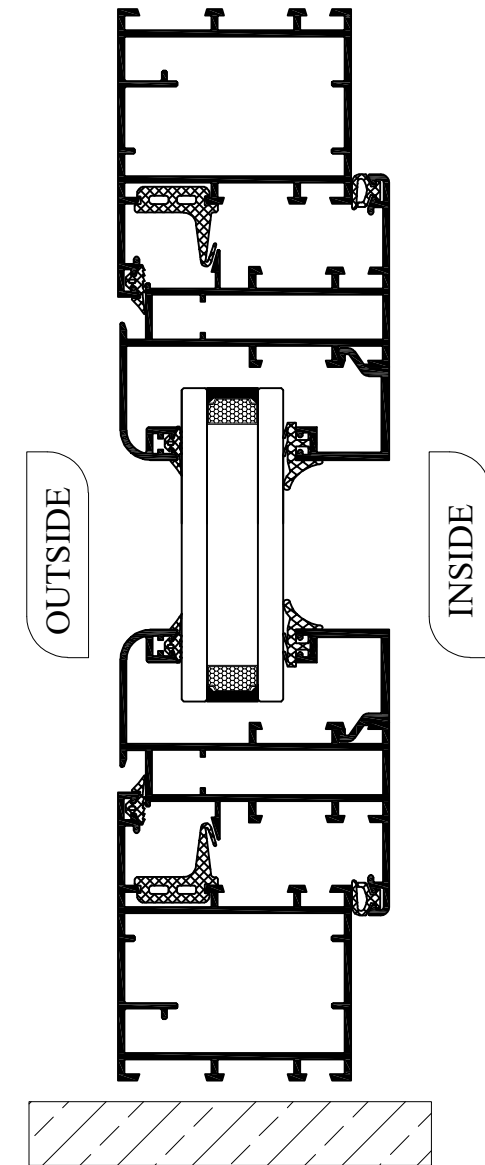
Scale: N.T.S

Unit: mm

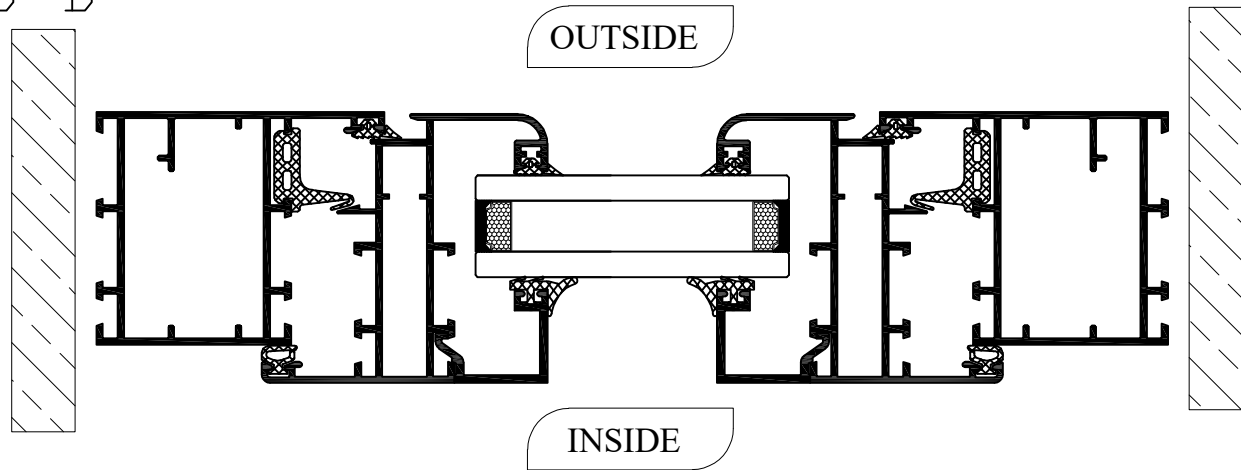
Tolerance Aluminum Weight And Thickness (+ / - 10%)



A-A



B-B



System: **XYZ-55 WINDOW**

EXTRU XYZ - 55 HINGES WINDOWS SYSTEM

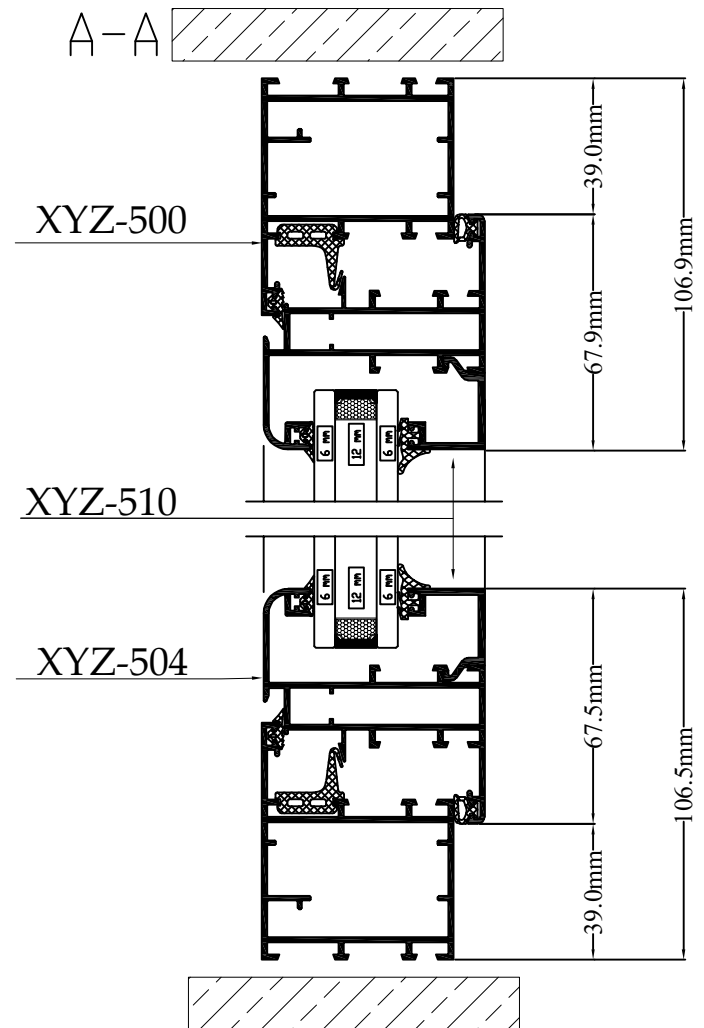
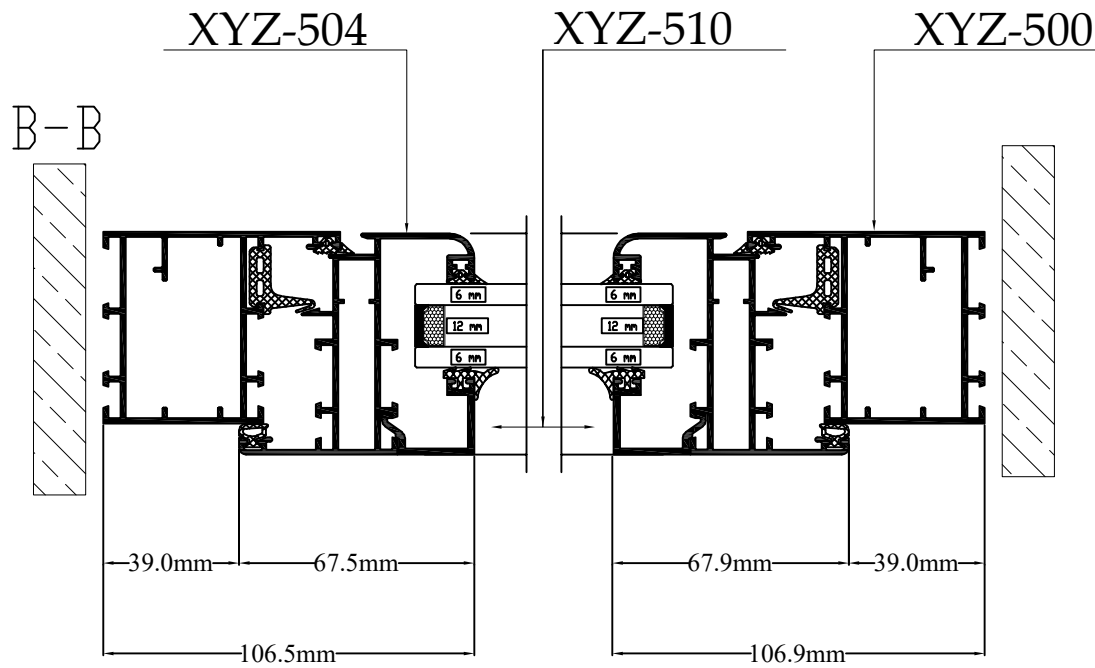
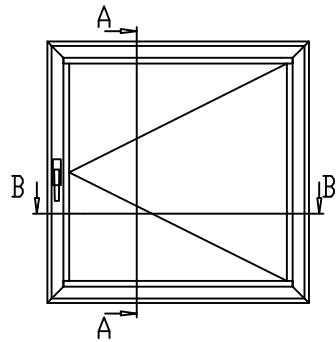
Thickness : 1.8 to 2 mm

Spacer : 12 mm

Scale: N.T.S

Unit: mm

Tolerance Aluminum Weight And Thickness (+ / - 10%)



System: **XYZ-55 WINDOW**

EXTRU XYZ - 55 HINGES WINDOWS SYSTEM

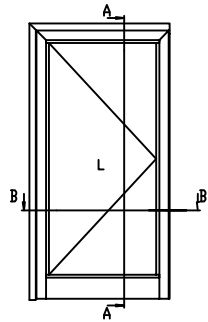
Thickness : 1.8 to 2 mm

Spacer : 12 mm

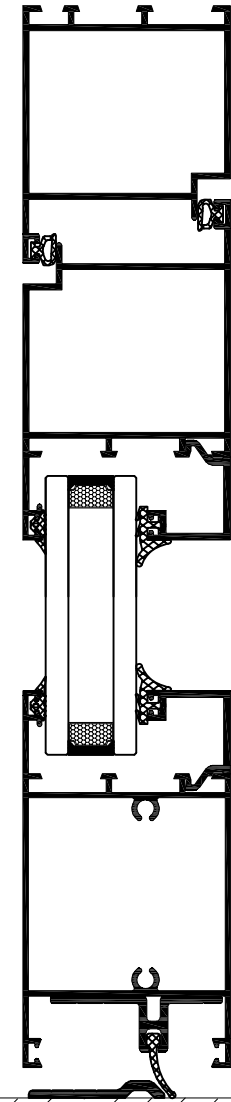
Scale: N.T.S

Unit: mm

Tolerance Aluminum Weight And Thickness (+ / - 10%)



A-A

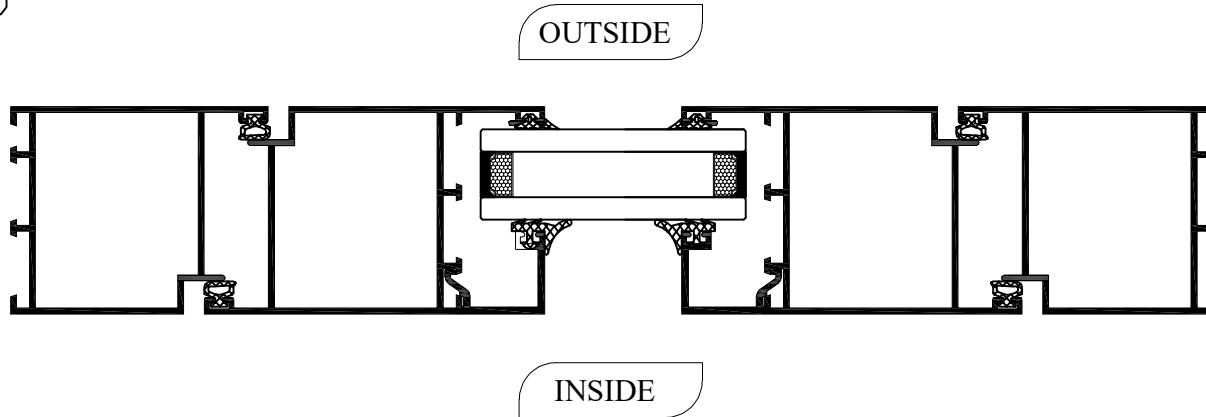
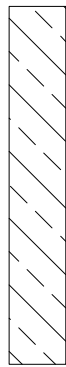


OUTSIDE

INSIDE



B-B



OUTSIDE

INSIDE



System: **XYZ-55 HINGE DOOR**

EXTRU XYZ - 55 HINGES DOOR SYSTEM

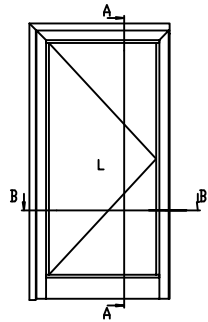
Thickness : 2 to 2.2 mm

Spacer : 12 mm

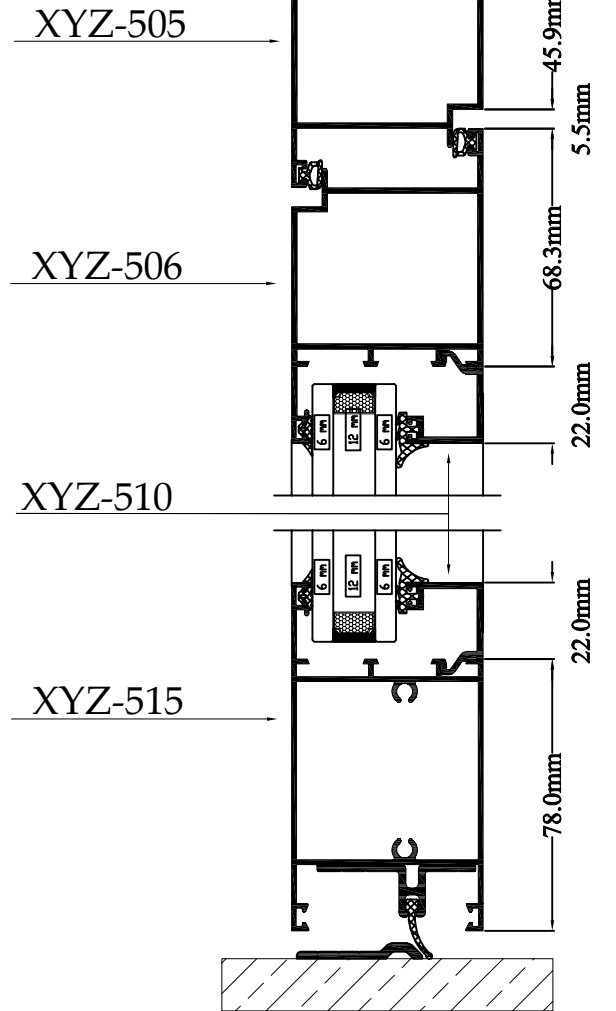
Scale: N.T.S

Unit: mm

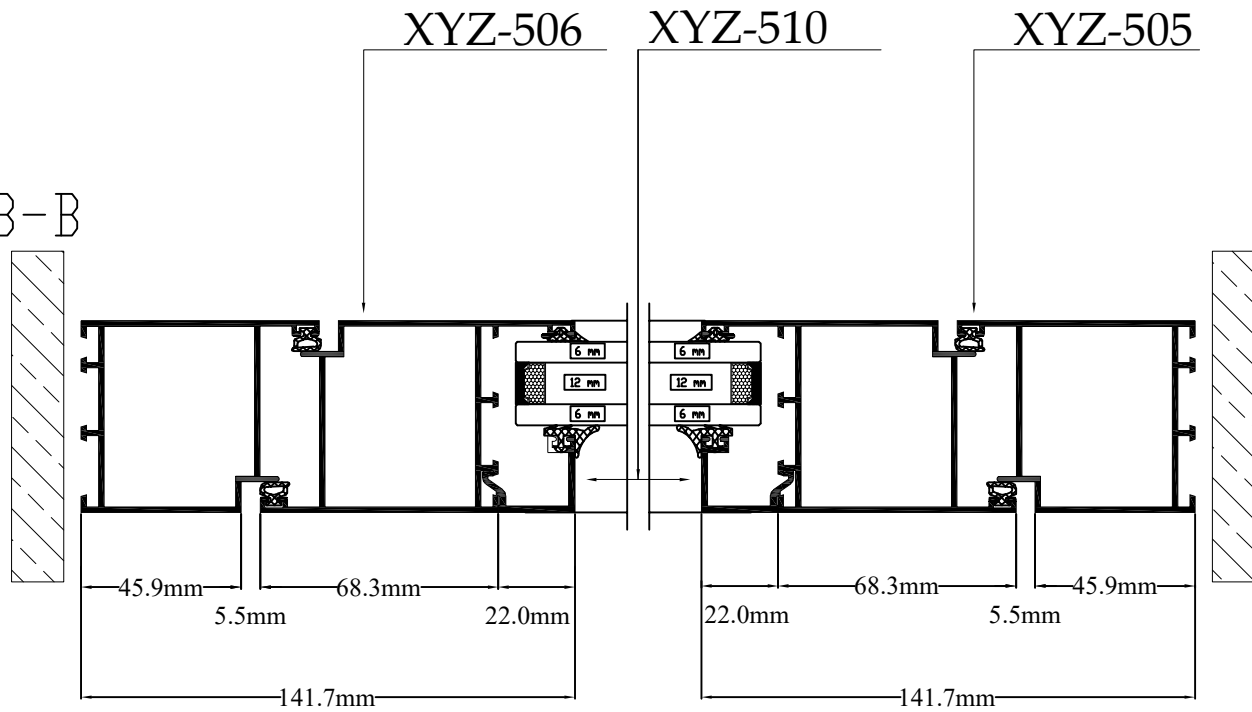
Tolerance Aluminum Weight And Thickness (+ / - 10%)



A-A



B-B



System: **XYZ-55 HINGE DOOR**

EXTRU XYZ - 55 HINGES DOOR SYSTEM

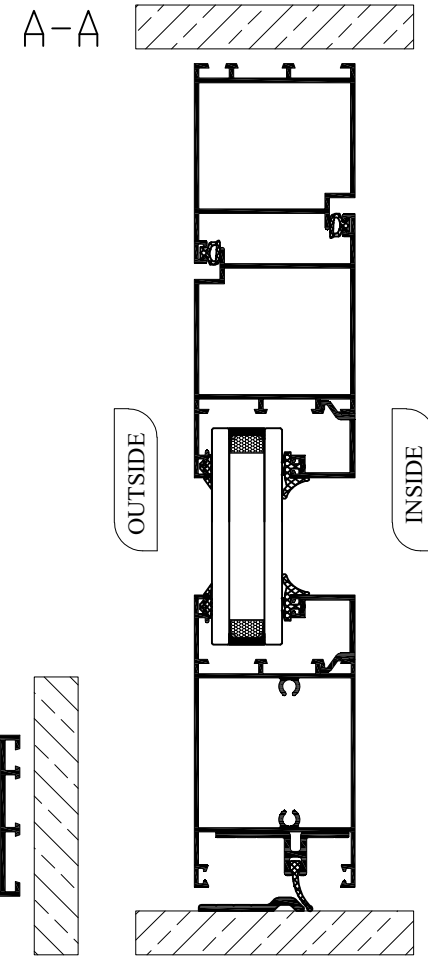
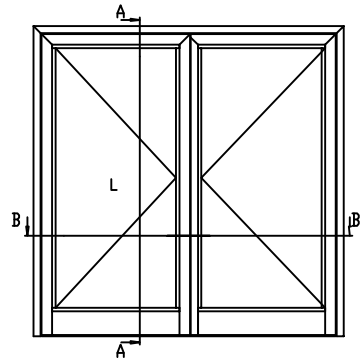
Thickness : 2 to 2.2 mm

Spacer : 12 mm

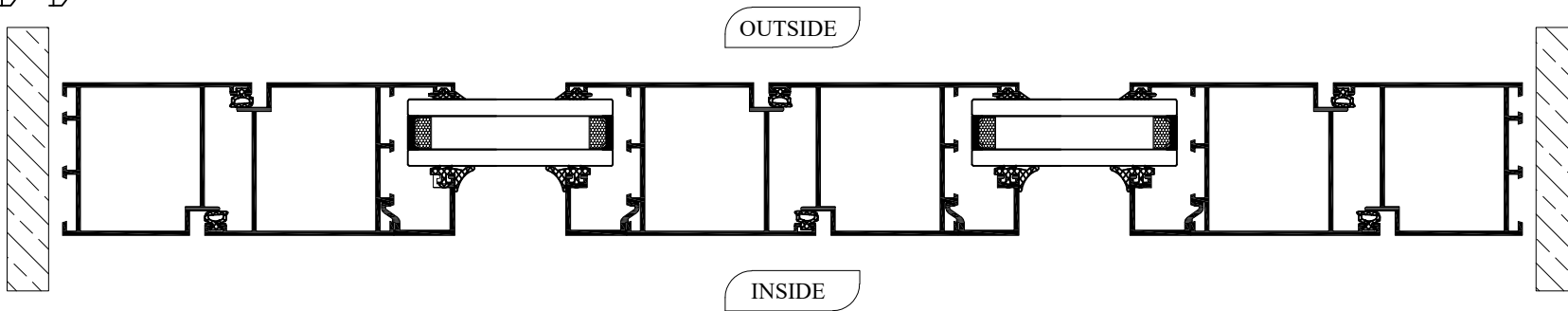
Scale: N.T.S

Unit: mm

Tolerance Aluminum Weight And Thickness (+ / - 10%)



B-B



System: **XYZ-55 HINGE DOOR**

EXTRU XYZ - 55 HINGES DOOR SYSTEM

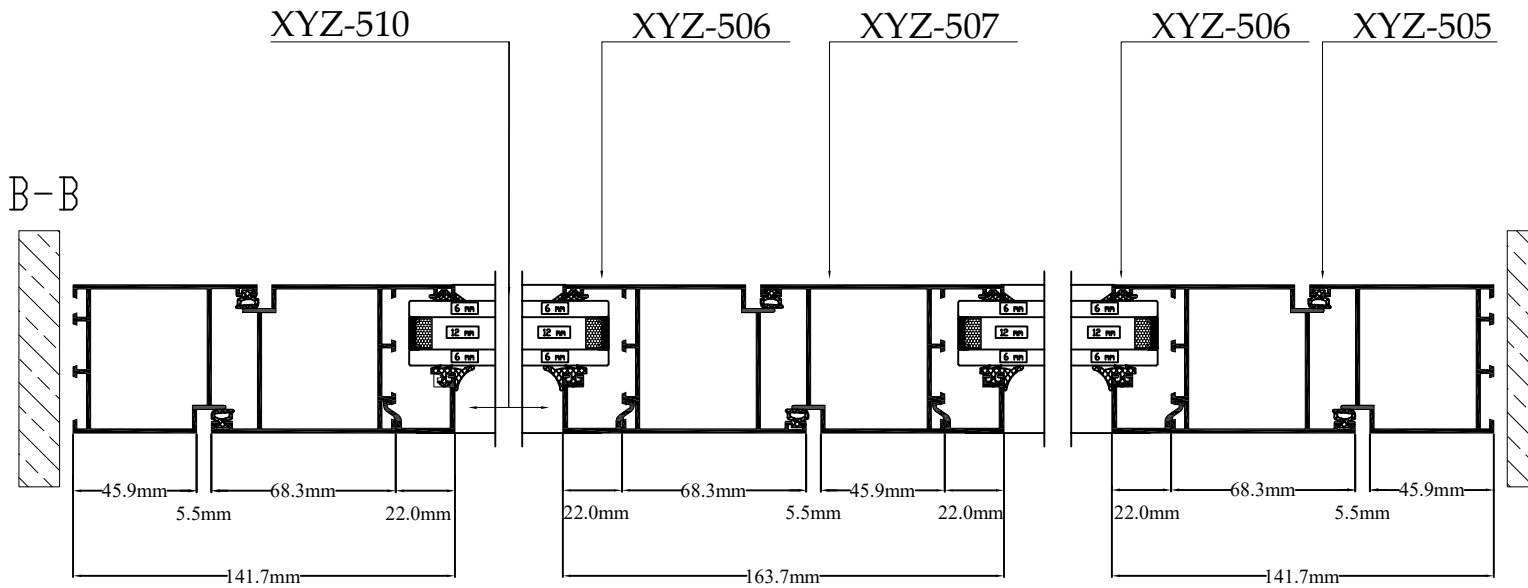
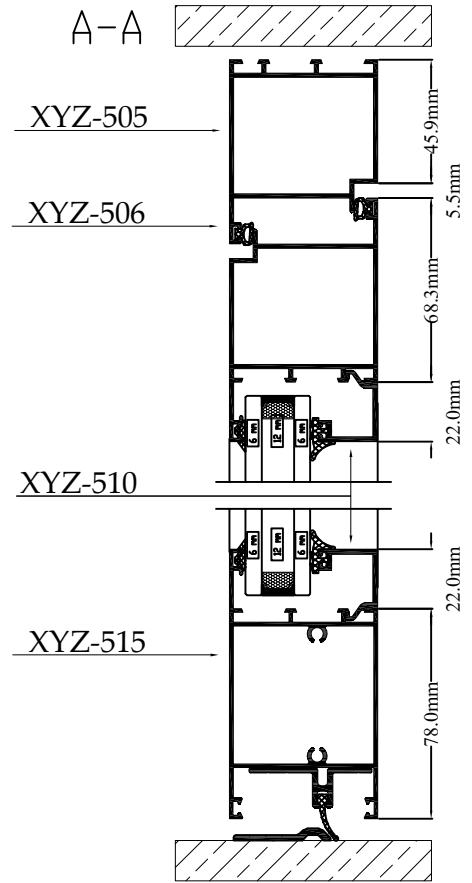
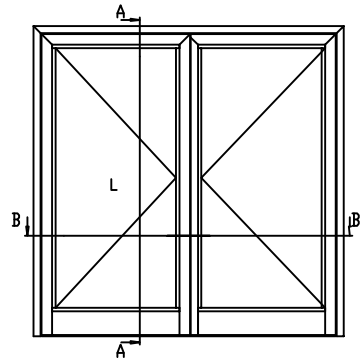
Thickness : 2 to 2.2 mm

Spacer : 12 mm

Scale: N.T.S

Unit: mm

Tolerance Aluminum Weight And Thickness (+ / - 10%)



System: XYZ-55 HINGE DOOR

EXTRU XYZ - 55 HINGES DOOR SYSTEM

Thickness : 2 to 2.2 mm

Spacer : 12 mm

Scale: N.T.S

Unit: mm

Tolerance Aluminum Weight And Thickness (+ / - 10%)

ACCESSORIES





R55 Window & Door Hinged System



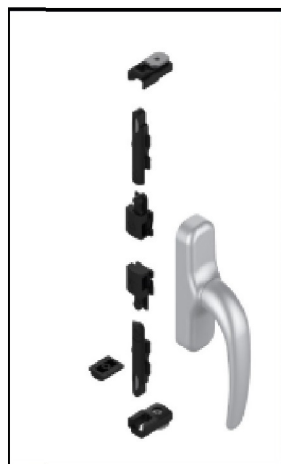
High Quality Handles for Hinged system

Sliding Window & Door Systems

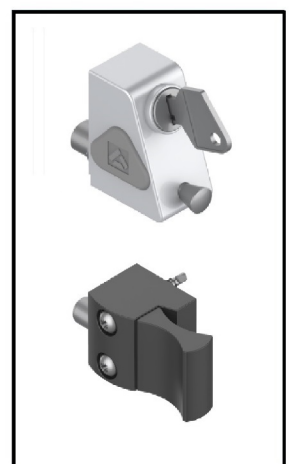


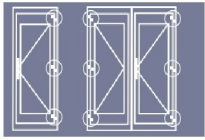
High Quality Sliding window & door system accessories
Handles , Autolock and Pull handles

Heavy duty Handle
with concealed
locking system



High Quality
Sliding door lock



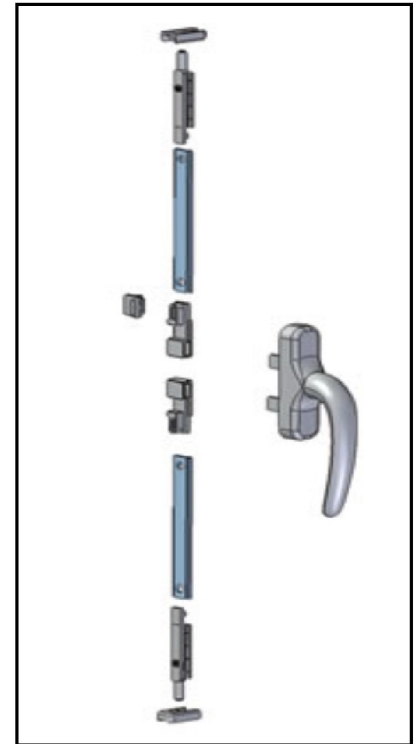
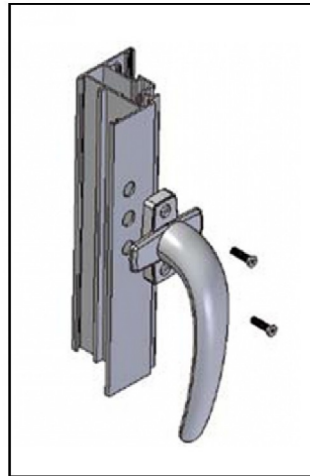


R55 Window & Door Hinged System

cervellini

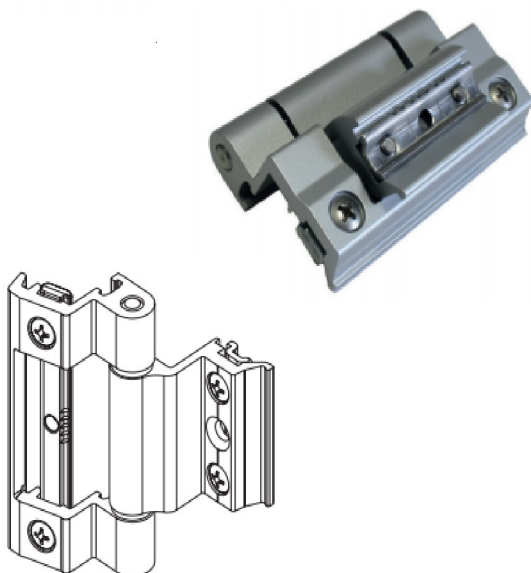


Heavy Duty handle made of high quality materials, Designed and manufactured in a modern shape, operating concealed vertical locking system .

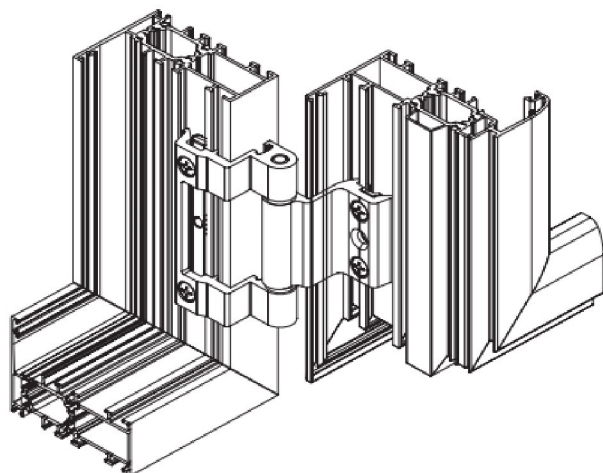


R55 Window & Door Hinged System

cervellini



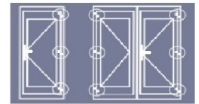
Heavy duty hinges to carry calculated weight designed and manufactured taking in to consideration long durability of usage and slim artistic shape .



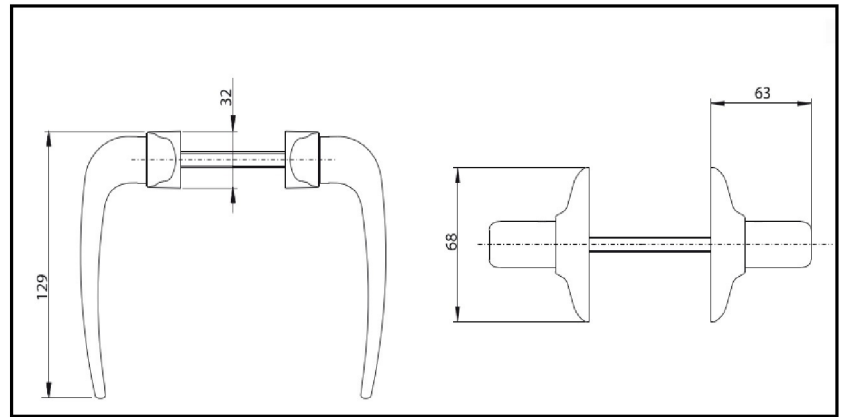


Fab

R55 Window & Door Hinged System



High quality handle body covered by aluminum die-cast , rotor in zamak , return spring made of stainless steel .

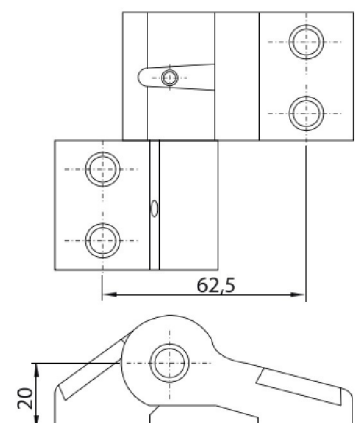
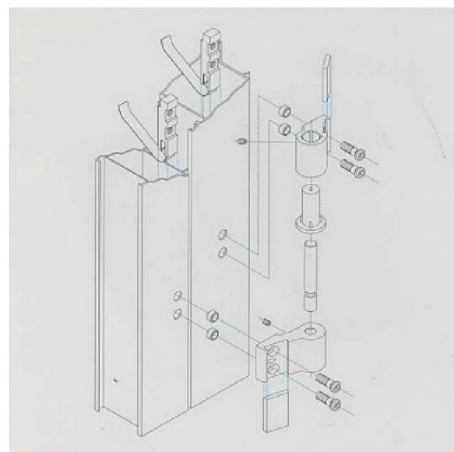


Fab

R55 Window & Door Hinged System



Heavy duty hinges made of thick extruded aluminum , high quality stainless steel pin and springs , counter plates are made of extruded aluminum , stainless steel screws

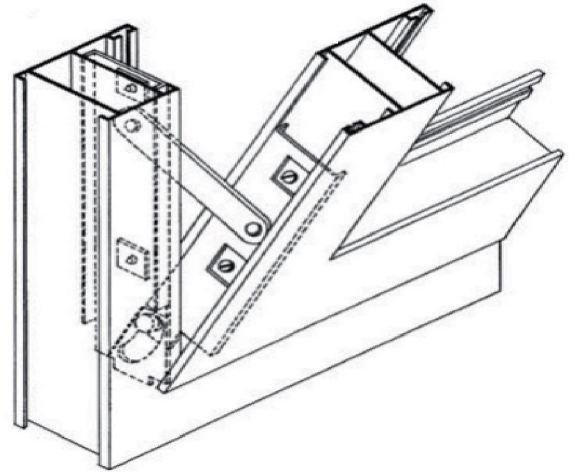




Fab

R55 Tilt Window / Scissors

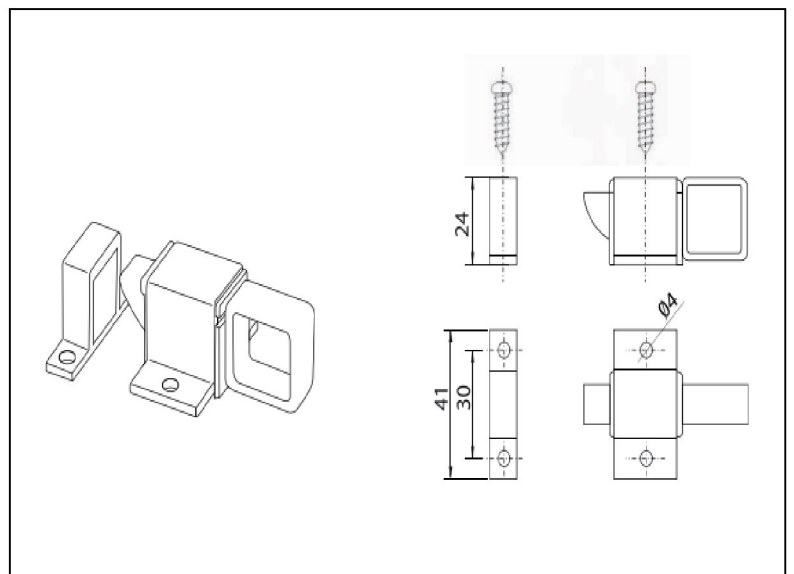
High quality galvanized steel plate (scissor hinge) fixed be self tapping screws



Fab

R55 Tilt Window / Lock

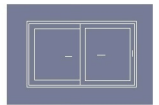
Heavy duty lock made in Italy of extruded aluminum assembled with plastic components .





Fab

Sliding Window & Door Systems



Heavy duty aluminum automatic lock for sliding windows and doors , high quality Zamak latch , stainless steel screws .

1	Aluminium profile	n. 1	5	Nylon lever	n. 1
2	Special screw zin.m6x20	n. 1	6	Steel hook	n. 1
3	Special screw zin.m6x8	n. 1	7	Steel lock	n. 1
4	Rivet 3x20.2 zin.	n. 2	8	Kit aluminium/zamac 4pz	n. 1

Sliding Window & Door Systems



Italian made Brush Seal weatherstrip



High quality Italian made Teflon wheel



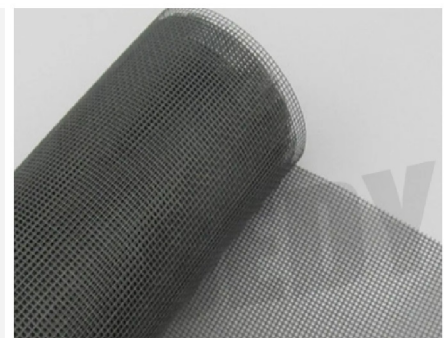
Customized Hard Nylon covers



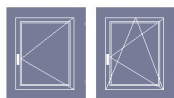
High quality Turkish made Rubber Seal



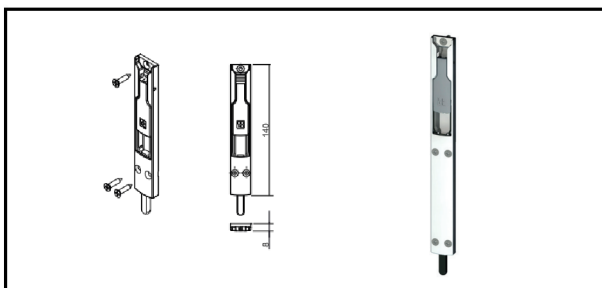
Hard Nylon flyscreen Handle



High quality US made fabric flyscreen

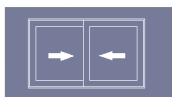
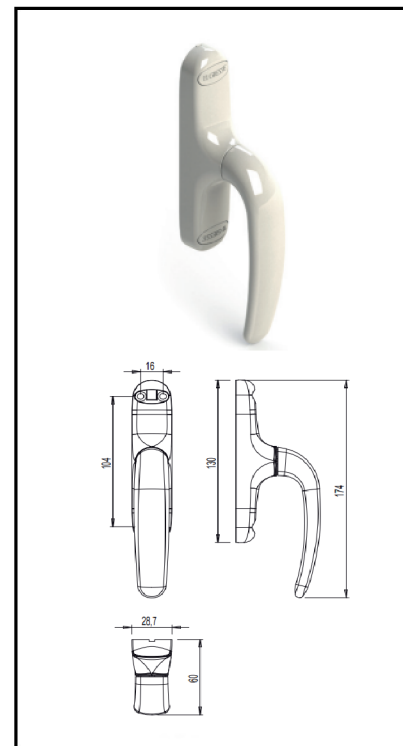
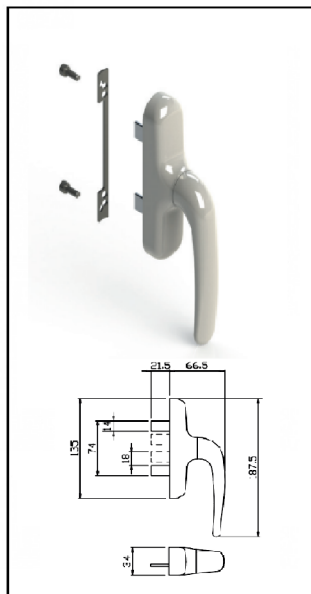


R55 Hinged Window \ Door Locking System & Handle

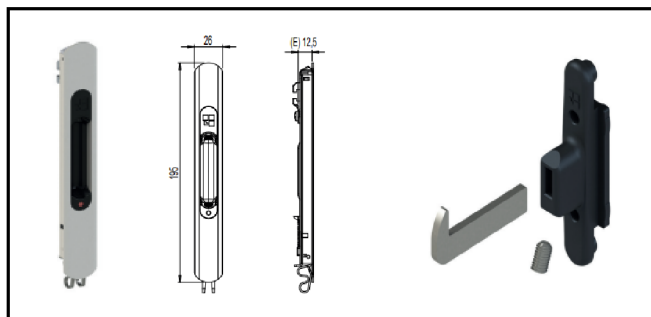


Heavy Duty Hinged window system made of high quality materials, Designed and manufactured in modern shapes.

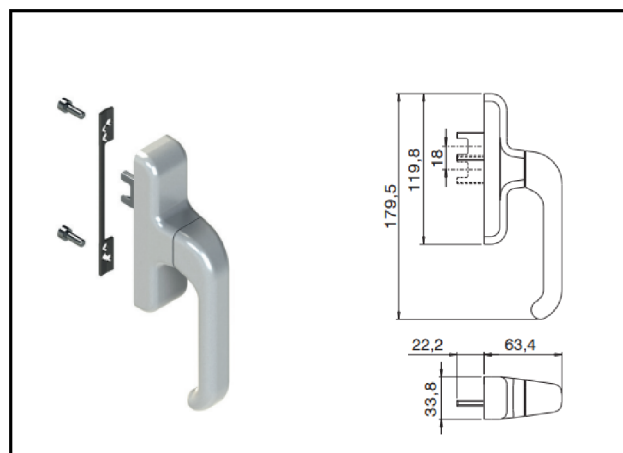
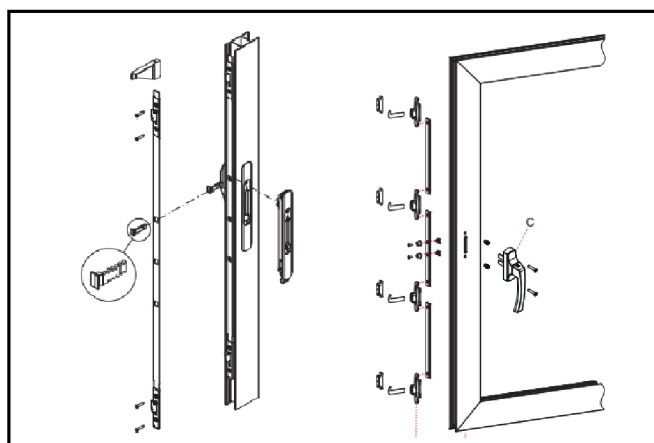
Concealed locking system



Sliding Window \ Door Locking System & Handle



Modern high Quality Handles , Auto-locking , locking system , concealed locking system





R55 Hinged System \ Handles

High Quality Handles for Hinged system



High quality vertical concealed locking system designed for hinged window



SL60 , SG60 Push-out Window Handle

Heavy duty handle for Push out window (Curtain wall system)



High Quality Handles with vertical concealed locking system



Sliding Window & Door \ Handles

Sliding window & door auto-locking system





R55 Hinged Window \ Locking System & Handle



High Quality Handles for Hinged system , Sliding and Push-out windows

Modern Stainless Steel heavy duty hinged door handle



High quality vertical concealed locking system designed for hinged window



SL60,SG60 Curtain Wall System \ Push-out Hinges

Heavy Duty Curtain Wall Push out Hinge , Stainless Steel natural finish designed to carry heavy weight.



Sliding Window & Door Systems

Sliding window & door auto-locking system



High quality pull handle for sliding doors





High Quality EPDM Rubber Gasket for Aluminum Window and Door Systems

R55 Window & Door Hinged System
Sliding Window & Door Systems



EPDM used for R55 System in many layers to improve the tightness of the Window



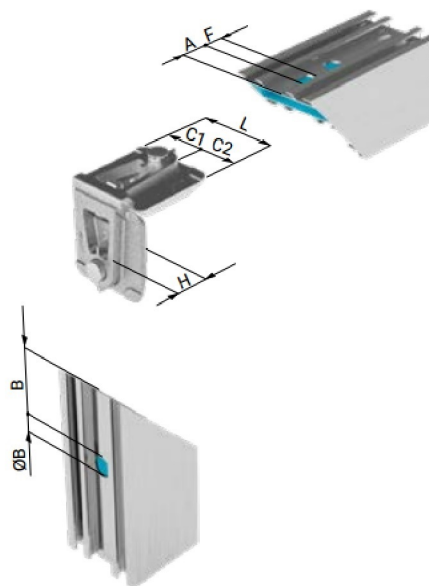
Sliding Window & Door System Panel profiles receives EPDM rubber to enable receiving the insulated Glass panels





MONTEBIANCO

R55 Hinged System \ Corner Assembly



By using corner assembly fixture manufactured by one of the best of Italian factories to provide the most rigidity and stability for the aluminum window frame and leaf , to guarantee long life of function

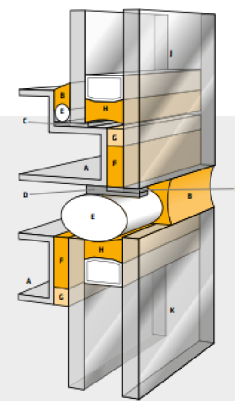
ART. N.	Descr.	L	H	C1	C2	A	F	B	ØB
0315/250	Ø10,5	23,90	10,50			14,50	11x6	38,00	10,50
0316/250	Ø10,5	17,40	10,30			14,50	11x6	37,50	10,50
0317/100	Ø10,5	40,40	39,40			21,00	11x6	41,00	10,50
0318DX/250	Ø10,5	41,00	14,80	15,00	26,00	18,00	12x6	39,50	10,50
0319/250	Ø10,5	20,30	9,30			12,00	11x6	35,00	10,50
0320/250	Ø10,5	20,40	34,70			22,00	11x6	45,00	10,50
0320.10/8/250	Ø8	20,40	34,70			22,00	11x6	46,00	8,00
0321.9/250	Ø9	31,80	8,50			11,00	11x6	34,00	9,00
0324/100	Ø10,5	46,40	38,40			14,00	13x6	36,50	10,50
0329SX/250	Ø10,5	41,30	15,50	17,70	23,60	20,00	12x6	39,75	10,50
0330/150	Ø10,5	36,40	40,80			21,00	11x6	41,00	10,50
0330.10X10/150	Ø10	36,40	40,80			21,00	11x6	41,00	10,00
0331SX/250	Ø10,5	36,20	13,90	11,70	24,50	21,00	11x6	41,00	10,50
0332.10/8C/250	Ø8	25,00	8,10			12,50	Ø9	36,00	8,00
0332.10C/250	Ø10,5	25,00	8,10			12,50	Ø9	35,00	10,50
0333SX/250	Ø10,5	37,00	15,80	14,70	22,50	20,00	12x6	39,75	10,50
0335DX/250	Ø10,5	34,50	14,00	10,40	24,10	14,00	14x6	36,50	10,50
0335DX.10/8/250	Ø8	34,50	14,00	10,40	24,10	14,00	14x6	37,50	8,00
0335SX/250	Ø10,5	34,50	14,00	24,10	10,40	14,00	14x6	36,50	10,50
0336/200	Ø10,5	24,20	34,70			27,00	11x6	47,00	10,50
0336.10/8/200	Ø8	24,20	34,70			27,00	11x6	48,00	8,00
0336.8/200	Ø8	24,20	34,70			27,00	11x6	48,00	8,00
0336.8MX/200	Ø8	24,20	34,70			27,00	11x6	48,00	8,00



High Quality Structure Silicone Tested and certified by international Labs

SG60 Stick System | Silicone Structure

	Sikasil® SG-18	Sikasil® SG-20	Sikasil® SG-500	Sikasil® SG-500 CN	Sikasil® SG-550
Components	one-part	one-part	two-part	two-part	two-part ¹
Curing System	neutral	neutral	neutrals	neutral	neutral
Processing	with guns from cartridges or foil packs	with guns from cartridges or foil packs	machine mixing	machine mixing	machine mixing
Installation of bonded elements	after 2 to 4 weeks ²	after 2 to 4 weeks ²	after 3 to 5 days ²	after 3 to 5 days ²	after 3 to 5 days ²
Maximum of joint bite³ [mm]	15	15	40	40	40
Skin forming time/pot life⁴ [min]	~30	~15	~40 ⁵	~60	~75
Permanent elastic range [°C]	-40 to +150	-40 to +150	-40 to +150	-40 to +150	-40 to +150
Shore A hardness⁶	~44	~38	~45	~40	~55
Tensile strength⁷ [N/mm²]	~1.1	~1.2	~1.0	~0.9	~1.6
Modulus at 100% elongation⁸ [N/mm²]	~0.8 (50%)	~0.9 (100%)	~1.0 (100%)	~0.9 (100%)	~1.0 (25%)
Elongation at break [%]	~75	~180	~100	~120	~80

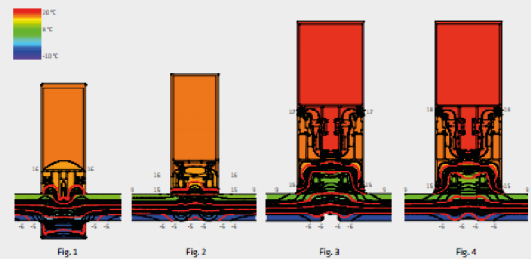


STRUCTURAL GLAZING – THE PRINCIPLE

The illustration shows a structural glazing insulating principle. This assembly is not intended as a construction guide. Where relevant, additional construction details may be needed to satisfy national construction regulations or project-specific requirements.

- A Adapter frame
- B Weatherseal
- C Setting block
- D Mechanical support
- E Backing material
- F Structural glazing joint
- G Spacer tape
- H Secondary edge seal
- I Slipped insulating glass unit
- K Symmetric insulating glass unit

STRUCTURAL GLAZING – CONVINCING ENERGY PERFORMANCE IN ALL DETAILS



Comparison of the Uf values show the better energy performance of the SG system (Fig. 2: 1.2 W/m²K-1) vs capped curtain wall system (Fig. 1: 2.9 W/m²K-1). But some of the advantage is lost if the facade is not properly sealed. Compare Fig. 3 (gaskets, 1.7 W/m²K-1) and Fig. 4 (wet sealant, 1.0 W/m²K-1).

With all structural glazing constructions, the adhesive bond is subject to considerable shear movements. The joint thickness (glue line thickness) must therefore be designed so that the movement capability of the adhesive is not exceeded.

Criteria for Calculating the Joint Thickness e

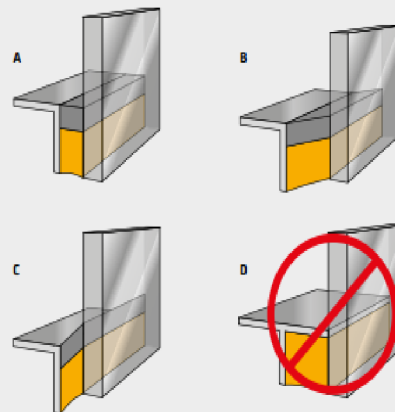
- Dimensions of the elements' maximum temperature differences to be expected
- Coefficients of thermal expansion of the materials to be bonded
- Estimated value for joint thickness: half of joint bite, at least 6 mm

PLEASE NOTE

CONSIDER ALL CAUSES OF STRESS IN THE JOINT.

1. All causes of movement must be taken into account:
 - Thermal effects due to different coefficients of thermal expansion between the glass and the support structure. If the joint dimensions are to be the same for a complete construction project, they must be calculated according to the dimensions of the largest pane.
 - Other causes, such as shrinkage, subsidence or locally confined stresses.
2. Observe all tolerances. These include the tolerances for cutting glass, and/or metal, and installation tolerances.
3. The application temperature must be between +5 °C and +40 °C.
4. Avoid three-sided adhesion of the sealant so as not to restrict joint movement. Detail D is absolutely forbidden!

CALCULATING THE JOINT THICKNESS E



- A Right joint dimension in its original state (h = joint bite, e = joint thickness).
- B, C Besides tensile movements the adhesive bond also absorbs shear movements in all directions.
- D Bonding on three sides must be avoided. Detail D is forbidden!

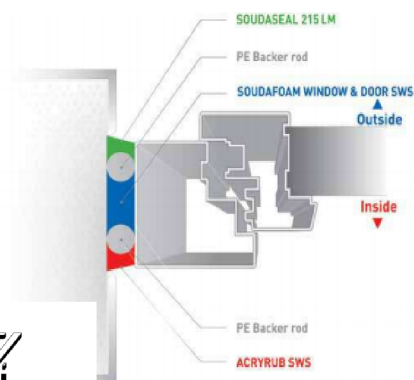
Sikasil®	ETAG			ASTM		
	σ_{adm}	τ_{adm}	τ_{ult}	σ_{adm}	τ_{adm}	Movement capability (ASTM C719)
SG-500	0.14 MPa	0.105 MPa	0.0105 MPa	0.138 MPa 20 psi	0.007 MPa 1 psi	± 22.5%
SG-500 CN	-	-	-	0.138 MPa 20 psi	0.007 MPa 1 psi	± 25%
SG-550	0.20 MPa	0.13 MPa	0.013 MPa	0.207 MPa 30 psi	0.007 MPa 1 psi	± 22.5%
SG-20	0.17 MPa	0.12 MPa	0.012 MPa	0.138 MPa 20 psi	0.007 MPa 1 psi	± 25%
SG-18	-	-	-	0.138 MPa 20 psi	0.007 MPa 1 psi	± 22.5%
IG-25	0.14 MPa	0.101 MPa	0.010 MPa	0.138 MPa 20 psi	0.007 MPa 1 psi	± 22.5%
IG-25 HM Plus	0.18 MPa	0.13 MPa	0.011 MPa	0.138 MPa 20 psi	0.007 MPa 1 psi	± 22.5%

SOUDAL

Silicone




- SUPERIOR THERMAL & ACOUSTIC INSULATION
- GUARANTEED AIRTIGHTNESS
- LONG-TERM WEATHER RESISTANCE



SOUDASEAL® HYBRID POLYMER VERSUS SILIRUB® SILICONE PERFORMANCE			
CHEMISTRY & MECHANICAL PROPERTIES			
PRODUCT NAME	SILIRUB 1	SILIRUB 2	SOUDASEAL 215 LM
CHEMISTRY	ACETOXY SILICONE	NEUTRAL SILICONE	HYBRID POLYMER
TYPE	LMA	LMN	LMN
ODOUR	VINEGAR	LOW	NONE
EXTERIOR & INTERIOR USE - EN15651-1	✓	✓	✓
COLD CLIMATE - EN15651-1	✓	✓	✓
MOVEMENT CLASS - EN15651-1	F 25 LM	F 25 LM	F 25 LM
MODULUS - EN15651-1	LOW MODULUS	LOW MODULUS	LOW MODULUS
SKINNING TIME, APPROX	5-10 MINUTES	5-10 MINUTES	10-20 MINUTES
SUBSTRATE COMPATIBILITY			
WOOD	✓	✓	✓
ALUMINIUM	✓	✓	✓
SENSITIVE METALS - LEAD, COPPER	X	✓	✓
PVCu	X	✓	✓
NATURAL STONE - NON-STAINING	X	X	✓
DAMP SURFACES	X	X	X
OTHER IMPORTANT PROPERTIES			
AIRTIGHTNESS	X	X	X
OVER-PAINTABLE	X	X	X



290ml Cartridge



600ml Foilpack

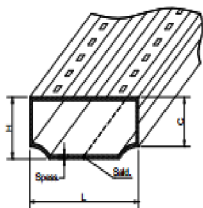




Sliding Window & Door Systems \ Wheels

High Quality tested in many professional labs in the EU Certified for friction resistance and carry significant weights and more than 40 years used in our sliding systems, all time met our client satisfactory

Double Glazing \ Aluminum Spacer Profile



Dimensioni e tolleranze

Profilo	L ± 0,1 mm	H ± 0,1 mm	C ± 0,2 mm	Spessore ± 0,01 mm (Standard)	Sp ± 0 (Max)
A040*	4,00	6,50	4,50	0,28	
A055*	5,50	6,50	4,60	0,28	
A065	6,50	6,50	5,10	0,28	
A075	7,50	6,50	5,10	0,28	
A085	8,50	6,50	5,10	0,28	
A095	9,50	6,50	5,10	0,28	
A105	10,50	6,50	5,10	0,28	
A115	11,50	6,50	5,10	0,28	
A125	12,50	6,50	5,10	0,31	
A135	13,50	6,50	5,10	0,31	
A145	14,50	6,50	5,10	0,31	
A155	15,50	6,50	5,10	0,31	
A165	16,50	6,50	5,10	0,31	
A175	17,50	6,50	5,10	0,31	
A195	19,50	6,50	5,10	0,31	
A215	21,50	6,50	5,10	0,39	
A235	23,50	6,50	5,10	0,39	
A265	26,50	6,50	4,50	0,45	

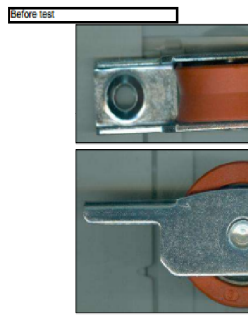
* Tolleranza L = ± 0 + 0,2 mm

Test from 19 to 39
Lot number 14/2060

The wheel ends test completely operative.
It can works again for much more. Stopped after over 33000 cycles of the 25000 required !
See pictures
NOTE: 25000 should reply 10 year of normal use

	Groove Diameter mm.	Ext. Diameter mm.
Before	27,5	30
After	27,6	29,85

Only very slight wear in the groove perfectly normal after so long test.



CERTIFICATO DI COLLAUDO
LABORATORIO PROVE / TEST LAB

S.r.l.

BEARING UNDER TEST

Type : Complete FE01 Steel support+ Diam 30 orange wheel "V" Shape
Customer Code : -
TOP Code : 11.3003FE01
Machine of Test : Static Rotating machine n°1 with Full Programmable LOAD CELL

MATERIALS

Metallc Parts: 100Cr6 Hardened / Supporto FEPO4 Galvanized
Plastic Injection: PAB+Fiber Glass
Balls: 100Cr6 Hardened
Cages: Metallc

TEST Parameters:

Engine Round(RPM)	Development (mm)
60,0	100,0
D.contrast guide (mm)	30,0
D.Groove o External D.(mm)	27,8
Applied Load (Kg)	62-54
Total Round of contrast guide : Motors (Total)	455000,0
Type of Cycle:	Pendular with periodic rotation of 800mm in both sense and small pauses between
Total Cycles:	33313
Results Cycle (800mm+500mm) M:	1,250

SUCCESSFUL TEST

Objective: 20000 cycles
Result: 33313 cycles
Mecanismo, Il responsible

Test 11_3003_FE01.xlsx

Elancourt, le 16 mars 2013

ALU PRO
Via A. Einstein 8
I - 30033 NOALE (VE)

INGENIERE EUROPE
GINGER CEBTP

DIRECTION REGIONALE ILE DE FRANCE
DIVISION ENVELOPPE DU BATIMENT
Materiales Colles et Revêtements

A l'attention de M. STAVREIS

ATTESTATION DE CONTRÔLE ET SUIVI DE CONFORMITE
COMPLIANCE CHECK AND SURVEY CERTIFICATE

Date limite de validité : 31-mars-2014 Expiry date : 31 March 2014

GINGER CEBTP atteste qu'il a établi une Convention de Contrôle de Conformité enregistrée sous le N° B576.05.02 avec la Société :
GINGER CEBTP certifies that it has set up a compliance check agreement registered under the N° B576.05.02 with the Firm:

ALUPRO
pour le site de production situé à :
for the plant located in:
NOALE [VE] (Italie)

Concernant la fabrication des produits suivants :
Concerning the following products :
5.5 à 23.5 H 6.5 mm
Equerres pour profilés H 6,5 mm

Le Responsable d'Application
In charge of procedure
S. MONNERAYE

Le Chef de Division
The Head of Division
P. EXCOFFIER

Fait à Elancourt le 16 mars 2013
Delivered in Elancourt le 16 March 2013

GINGER CEBTP SAS au capital de 2 597 603 €
98028 SOCAL, 2402101, 2402102, 2402103, 2402104, 2402105, 2402106, 2402107, 2402108, 2402109, 2402110, 2402111, 2402112, 2402113, 2402114, 2402115, 2402116, 2402117, 2402118, 2402119, 2402120, 2402121, 2402122, 2402123, 2402124, 2402125, 2402126, 2402127, 2402128, 2402129, 2402130, 2402131, 2402132, 2402133, 2402134, 2402135, 2402136, 2402137, 2402138, 2402139, 2402140, 2402141, 2402142, 2402143, 2402144, 2402145, 2402146, 2402147, 2402148, 2402149, 2402150, 2402151, 2402152, 2402153, 2402154, 2402155, 2402156, 2402157, 2402158, 2402159, 2402160, 2402161, 2402162, 2402163, 2402164, 2402165, 2402166, 2402167, 2402168, 2402169, 2402170, 2402171, 2402172, 2402173, 2402174, 2402175, 2402176, 2402177, 2402178, 2402179, 2402180, 2402181, 2402182, 2402183, 2402184, 2402185, 2402186, 2402187, 2402188, 2402189, 2402190, 2402191, 2402192, 2402193, 2402194, 2402195, 2402196, 2402197, 2402198, 2402199, 2402200, 2402201, 2402202, 2402203, 2402204, 2402205, 2402206, 2402207, 2402208, 2402209, 2402210, 2402211, 2402212, 2402213, 2402214, 2402215, 2402216, 2402217, 2402218, 2402219, 2402220, 2402221, 2402222, 2402223, 2402224, 2402225, 2402226, 2402227, 2402228, 2402229, 2402230, 2402231, 2402232, 2402233, 2402234, 2402235, 2402236, 2402237, 2402238, 2402239, 2402240, 2402241, 2402242, 2402243, 2402244, 2402245, 2402246, 2402247, 2402248, 2402249, 2402250, 2402251, 2402252, 2402253, 2402254, 2402255, 2402256, 2402257, 2402258, 2402259, 2402260, 2402261, 2402262, 2402263, 2402264, 2402265, 2402266, 2402267, 2402268, 2402269, 2402270, 2402271, 2402272, 2402273, 2402274, 2402275, 2402276, 2402277, 2402278, 2402279, 2402280, 2402281, 2402282, 2402283, 2402284, 2402285, 2402286, 2402287, 2402288, 2402289, 2402290, 2402291, 2402292, 2402293, 2402294, 2402295, 2402296, 2402297, 2402298, 2402299, 2402300, 2402301, 2402302, 2402303, 2402304, 2402305, 2402306, 2402307, 2402308, 2402309, 2402310, 2402311, 2402312, 2402313, 2402314, 2402315, 2402316, 2402317, 2402318, 2402319, 2402320, 2402321, 2402322, 2402323, 2402324, 2402325, 2402326, 2402327, 2402328, 2402329, 2402330, 2402331, 2402332, 2402333, 2402334, 2402335, 2402336, 2402337, 2402338, 2402339, 2402340, 2402341, 2402342, 2402343, 2402344, 2402345, 2402346, 2402347, 2402348, 2402349, 2402350, 2402351, 2402352, 2402353, 2402354, 2402355, 2402356, 2402357, 2402358, 2402359, 2402360, 2402361, 2402362, 2402363, 2402364, 2402365, 2402366, 2402367, 2402368, 2402369, 2402370, 2402371, 2402372, 2402373, 2402374, 2402375, 2402376, 2402377, 2402378, 2402379, 2402380, 2402381, 2402382, 2402383, 2402384, 2402385, 2402386, 2402387, 2402388, 2402389, 2402390, 2402391, 2402392, 2402393, 2402394, 2402395, 2402396, 2402397, 2402398, 2402399, 2402400, 2402401, 2402402, 2402403, 2402404, 2402405, 2402406, 2402407, 2402408, 2402409, 2402410, 2402411, 2402412, 2402413, 2402414, 2402415, 2402416, 2402417, 2402418, 2402419, 2402420, 2402421, 2402422, 2402423, 2402424, 2402425, 2402426, 2402427, 2402428, 2402429, 2402430, 2402431, 2402432, 2402433, 2402434, 2402435, 2402436, 2402437, 2402438, 2402439, 2402440, 2402441, 2402442, 2402443, 2402444, 2402445, 2402446, 2402447, 2402448, 2402449, 2402450, 2402451, 2402452, 2402453, 2402454, 2402455, 2402456, 2402457, 2402458, 2402459, 2402460, 2402461, 2402462, 2402463, 2402464, 2402465, 2402466, 2402467, 2402468, 2402469, 2402470, 2402471, 2402472, 2402473, 2402474, 2402475, 2402476, 2402477, 2402478, 2402479, 2402480, 2402481, 2402482, 2402483, 2402484, 2402485, 2402486, 2402487, 2402488, 2402489, 2402490, 2402491, 2402492, 2402493, 2402494, 2402495, 2402496, 2402497, 2402498, 2402499, 2402500, 2402501, 2402502, 2402503, 2402504, 2402505, 2402506, 2402507, 2402508, 2402509, 2402510, 2402511, 2402512, 2402513, 2402514, 2402515, 2402516, 2402517, 2402518, 2402519, 2402520, 2402521, 2402522, 2402523, 2402524, 2402525, 2402526, 2402527, 2402528, 2402529, 2402530, 2402531, 2402532, 2402533, 2402534, 2402535, 2402536, 2402537, 2402538, 2402539, 2402540, 2402541, 2402542, 2402543, 2402544, 2402545, 2402546, 2402547, 2402548, 2402549, 2402550, 2402551, 2402552, 2402553, 2402554, 2402555, 2402556, 2402557, 2402558, 2402559, 2402560, 2402561, 2402562, 2402563, 2402564, 2402565, 2402566, 2402567, 2402568, 2402569, 2402570, 2402571, 2402572, 2402573, 2402574, 2402575, 2402576, 2402577, 2402578, 2402579, 2402580, 2402581, 2402582, 2402583, 2402584, 2402585, 2402586, 2402587, 2402588, 2402589, 2402590, 2402591, 2402592, 2402593, 2402594, 2402595, 2402596, 2402597, 2402598, 2402599, 2402600, 2402601, 2402602, 2402603, 2402604, 2402605, 2402606, 2402607, 2402608, 2402609, 2402610, 2402611, 2402612, 2402613, 2402614, 2402615, 2402616, 2402617, 2402618, 2402619, 2402620, 2402621, 2402622, 2402623, 2402624, 2402625, 2402626, 2402627, 2402628, 2402629, 2402630, 2402631, 2402632, 2402633, 2402634, 2402635, 2402636, 2402637, 2402638, 2402639, 2402640, 2402641, 2402642, 2402643, 2402644, 2402645, 2402646, 2402647, 2402648, 2402649, 2402650, 2402651, 2402652, 2402653, 2402654, 2402655, 2402656, 2402657, 2402658, 2402659, 2402660, 2402661, 2402662, 2402663, 2402664, 2402665, 2402666, 2402667, 2402668, 2402669, 2402670, 2402671, 2402672, 2402673, 2402674, 2402675, 2402676, 2402677, 2402678, 2402679, 2402680, 2402681, 2402682, 2402683, 2402684, 2402685, 2402686, 2402687, 2402688, 2402689, 2402690, 2402691, 2402692, 2402693, 2402694, 2402695, 2402696, 2402697, 2402698, 2402699, 2402700, 2402701, 2402702, 2402703, 2402704, 2402705, 2402706, 2402707, 2402708, 2402709, 2402710, 2402711, 2402712, 2402713, 2402714, 2402715, 2402716, 2402717, 2402718, 2402719, 2402720, 2402721, 2402722, 2402723, 2402724, 2402725, 2402726, 2402727, 2402728, 2402729, 2402730, 2402731, 2402732, 2402733, 2402734, 2402735, 2402736, 2402737, 2402738, 2402739, 2402740, 2402741, 2402742, 2402743, 2402744, 2402745, 2402746, 2402747, 2402748, 2402749, 2402750, 2402751, 2402752, 2402753, 2402754, 2402755, 2402756, 2402757, 2402758, 2402759, 2402760, 2402761, 2402762, 2402763, 2402764, 2402765, 2402766, 2402767, 2402768, 2402769, 2402770, 2402771, 2402772, 2402773, 2402774, 2402775, 2402776, 2402777, 2402778, 2402779, 2402780, 2402781, 2402782, 2402783, 2402784, 2402785, 2402786, 2402787, 2402788, 2402789, 2402790, 2402791, 2402792, 2402793, 2402794, 2402795, 2402796, 2402797, 2402798, 2402799, 2402800, 2402801, 2402802, 2402803, 2402804, 2402805, 2402806, 2402807, 2402808, 2402809, 2402810, 2402811, 2402812, 2402813, 2402814, 2402815, 2402816, 2402817, 2402818, 2402819, 2402820, 2402821, 2402822, 2402823, 2402824, 2402825, 2402826, 2402827, 2402828, 2402829, 2402830, 2402831, 2402832, 2402833, 2402834, 2402835, 2402836, 2402837, 2402838, 2402839, 2402840, 2402841, 2402842, 2402843, 2402844, 2402845, 2402846, 2402847, 2402848, 2402849, 2402850, 2402851, 2402852, 2402853, 2402854, 2402855, 2402856, 2402857, 2402858, 2402859, 2402860, 2402861, 2402862, 2402863, 2402864, 2402865, 2402866, 2402867, 2402868, 2402869, 2402870, 2402871, 2402872, 2402873, 2402874, 2402875, 2402876, 2402877, 2402878, 2402879, 2402880, 2402881, 2402882, 2402883, 2402884, 2402885, 2402886, 2402887, 2402888, 2402889, 2402890, 2402891, 2402892, 2402893, 2402894, 2402895, 2402896, 2402897, 2402898, 2402899, 2402900, 2402901, 2402902, 2402903, 2402904, 2402905, 2402906, 2402907, 2402908, 2402909, 2402910, 2402911, 2402912, 2402913, 2402914, 2402915, 2402916, 2402917, 2402918, 2402919, 2402920, 2402921, 2402922, 2402923, 2402924, 2402925, 2402926, 2402927, 2402928, 2402929, 2402930, 2402931, 2402932, 2402933, 2402934, 2402935, 2402936, 2402937, 2402938, 2402939, 2402940, 2402941, 2402942, 2402943, 2402944, 2402945, 2402946, 2402947, 2402948, 2402949, 2402950, 2402951, 2402952, 2402953, 2402954, 2402955, 2402956, 2402957, 2402958, 2402959, 2402960, 2402961, 2402962, 2402963, 2402964, 2402965, 2402966, 2402967, 2402968, 2402969, 2402970, 2402971, 2402972, 2402973, 2402974, 2402975, 2402976, 2402977, 2402978, 2402979, 2402980, 2402981, 2402982, 2402983, 2402984, 2402985, 2402986, 2402987, 2402988, 2402989, 2402990, 2402991, 2402992, 2402993, 2402994, 2402995, 2402996, 2402997, 2402998, 2402999, 2403000, 2403001, 2403002, 2403003, 2403004, 2403005, 2403006, 2403007, 2403008, 2403009, 2403010, 2403011, 2403012, 2403013, 2403014, 2403015, 2403016, 2403017, 2403018, 2403019, 2403020, 2403021, 2403022, 2403023, 2403024, 2403025, 2403026, 2403027, 2403028, 2403029, 2403030, 2403031, 2403032, 2403033, 2403034, 2403035, 2403036, 2403037, 2403038, 2403039, 2403040, 2403041, 2403042, 2403043, 2403044, 2403045, 2403046, 2403047, 2403048, 2403049, 2403050, 2403051, 2403052, 2403053, 2403054, 2403055, 2403056, 2403057, 2403058, 2403059, 2403060, 2403061, 2403062, 2403063, 2403064, 2403065, 2403066, 2403067, 2403068, 2403069, 2403070, 2403071, 2403072, 2403073, 2403074, 2403075, 2403076, 2403077, 2403078, 2403079, 2403080, 2403081, 2403082, 2403083, 2403084, 2403085, 2403086, 2403087, 2403088, 2403089, 2403090, 2403091, 2403092, 2403093, 2403094, 2403095, 2403096, 2403097, 2403098, 2403099, 2403100, 2403101, 2403102, 2403103, 2403104, 2403105, 2403106, 2403107, 2403108, 2403109, 2403110, 2403111, 2403112, 2403113, 2403114, 2403115, 2403116, 2403117, 2403118, 2403119, 2403120, 2403121, 2403122, 2403123, 2403124, 2403125, 2403126, 2403127, 240312

AF
SKYTECH ALFAQEER

